

Glassfibre-composite Structures (Bolted)

Front Bonnet, Remove and Install

Second technician will be required to remove and install front bonnet.

Mark position of hinge on front bonnet with a soft pencil.



Remove, Disconnect

Front bonnet (1) from hinge (2) - 3 bolts and washers.



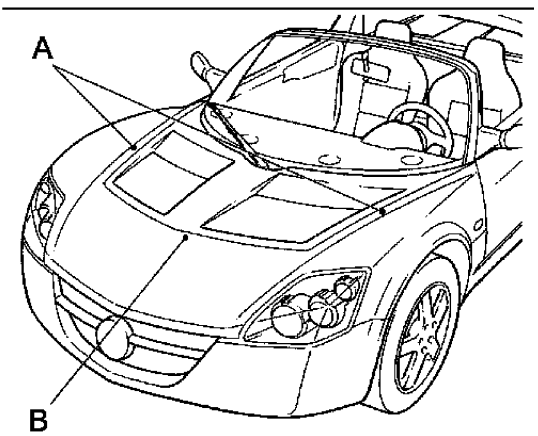
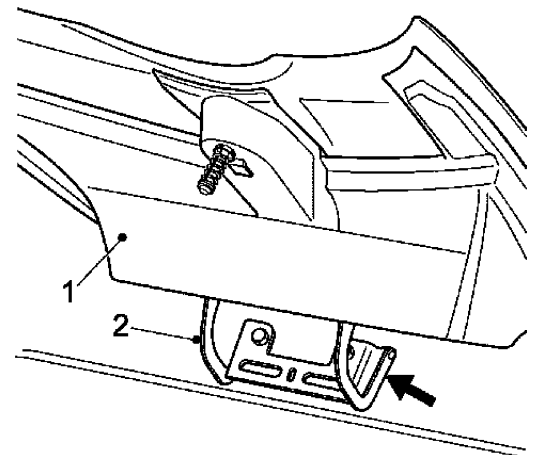
Install, Connect

Front bonnet to hinge - align markings, 3 washers and bolts - 20 Nm.



Inspect

Front bonnet gaps A and B.



N 0048



Adjust

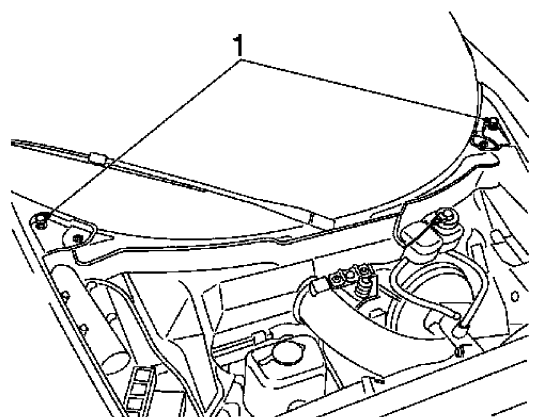
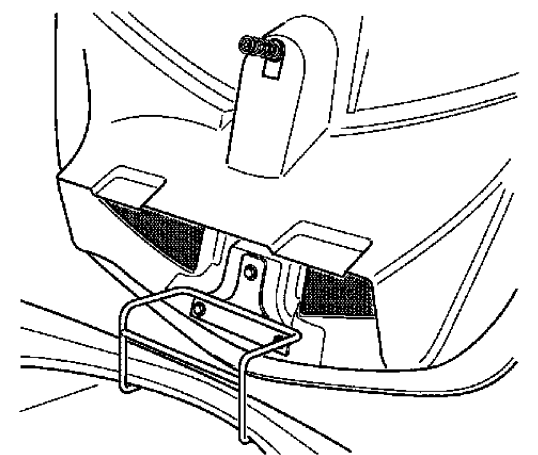
Gap if necessary.

Vertical misalignment with adjacent bodywork may be corrected by means of bump stops (1) and by bump stops in gutter at front.



Important!

To avoid damage, do not allow front bonnet to fall shut until functioning of front bonnet lock has been tested/adjusted - see operation "Front Bonnet Lock, Adjust".



S 0954

